

VERSA-GARD®
We make food look better.

GARDIAN® SERIES



If it's not a Versa-Gard, it's just a sneezeguard.

VERSA-GARD[®]

was founded on the belief that in order to attain the highest level of customer satisfaction it is imperative to maintain strong relationships with our clients. Our attention to the smallest details is generated by the commitment to our clients. We strive to be a very personal company and devote considerable time listening to our customers. Versa-Gard builds success by treating customers as partners. To coin an old phrase, "Companies don't conduct business with companies, people conduct business with people". This is our way of doing business.

Our attention to the smallest details is generated by the **COMMITMENT** to our clients



VGG5F-2T

TWO-TIER SINGLE-SIDED PROTECTOR

THE FOOD PROTECTION SPECIALISTS

MODULAR, CONVERTIBLE FOOD PROTECTION SYSTEMS



ADJUSTABLE FOOD PROTECTORS



FULL SERVICE FOOD PROTECTORS



SELF-SERVICE FOOD PROTECTORS



VERTICAL FOOD PROTECTORS



VGG7

SINGLE-SIDED PROTECTOR WITH INTEGRAL 8-1/2" SHELF

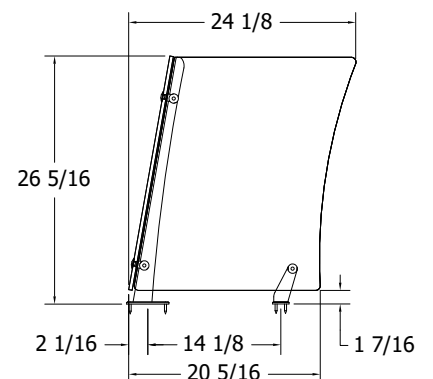
VGG1

SLOPED FRONT FULL SERVICE PROTECTOR



Model Features

- For Cafeteria Counters and Cooking and/or Carving Station Operations
- Available with 6" Pass-Through Opening
- Up to 60" Centerline Span Between Front Supports
- 1/2" Thick, Solid, Precision-machined Supports 6061-T6 Aluminum
- 3/8" Clear Tempered Glass Front Panel
- 1/4" Clear Tempered Glass End Panels



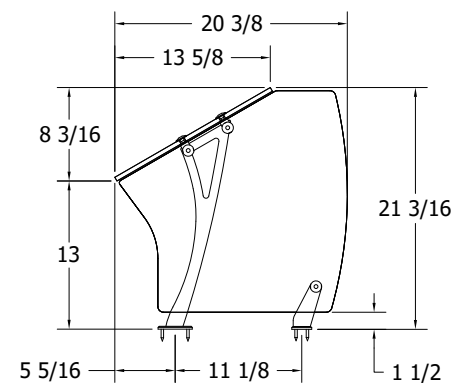
VGG5

SINGLE-SIDED PROTECTOR



Model Features

- For Self-Service Applications
- Up to 66" Centerline Span Between Supports
- 1/2" Thick, Solid, Precision-machined Supports
6061-T6 Aluminum
- 3/8" (standard), or 1/2" Clear Tempered Glass Front Panel
- 1/4" Clear Tempered Glass End Panels
- Available with LED Lights



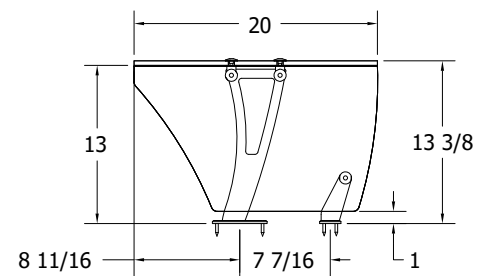
VGG5F

SINGLE-SIDED SELF-SERVICE PROTECTOR



Model Features

- For Self-Service Applications
- Up to 66" Centerline Span Between Supports (with 1/2" Tempered Glass and End Panels)
- 1/2" Thick, Solid, Precision-machined Supports 6061-T6 Aluminum
- 3/8"(standard), or 1/2" Clear Tempered Glass Top Panel
- 1/4" Clear Tempered Glass End Panels
- Available with LED Lights and/or Food Warmers



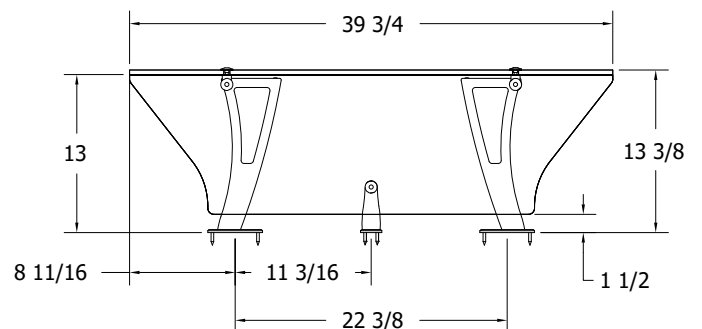
VGG5F-DS

DOUBLE-SIDED SELF-SERVICE PROTECTOR



Model Features

- For Self-Service Applications with Access from Both Sides of the Counter
- Top Shelf can be utilized for Display
- Up to 66" Centerline Span Between Supports (with 1/2" Tempered Glass and End Panels)
- 1/2" Thick, Solid, Precision-machined Supports 6061-T6 Aluminum
- 3/8" (standard), or 1/2" Clear Tempered Glass Top Panels
- 1/4" Clear Tempered Glass End Panels
- Available with LED Lights and/or Food Warmers



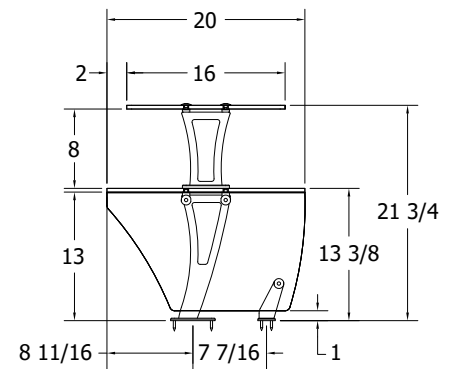
VGG5F-2T

TWO-TIER SINGLE-SIDED PROTECTOR



Model Features

- For Self-Service Applications with Access from Both Sides of the Counter
- Upper Tier for Wrapped or Pre-packaged Goods
- Up to 66" Centerline Span Between Supports (with 1/2" Tempered Glass and End Panels)
- 1/2" Thick, Solid, Precision-machined Supports 6061-T6 Aluminum
- 3/8" (standard), or 1/2" Clear Tempered Glass Top Panels
- 1/4" Clear Tempered Glass End Panels
- Available with LED Lights and/or Food Warmers



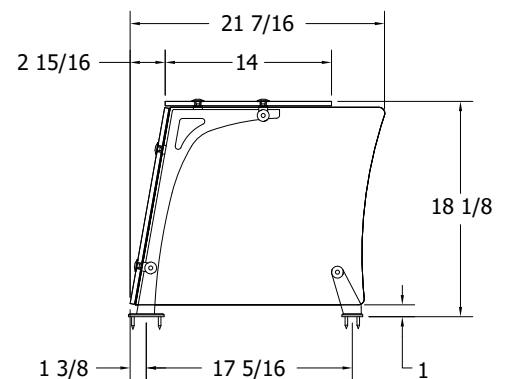
VGG6

SLOPED FULL SERVICE PROTECTOR WITH 14" SHELF



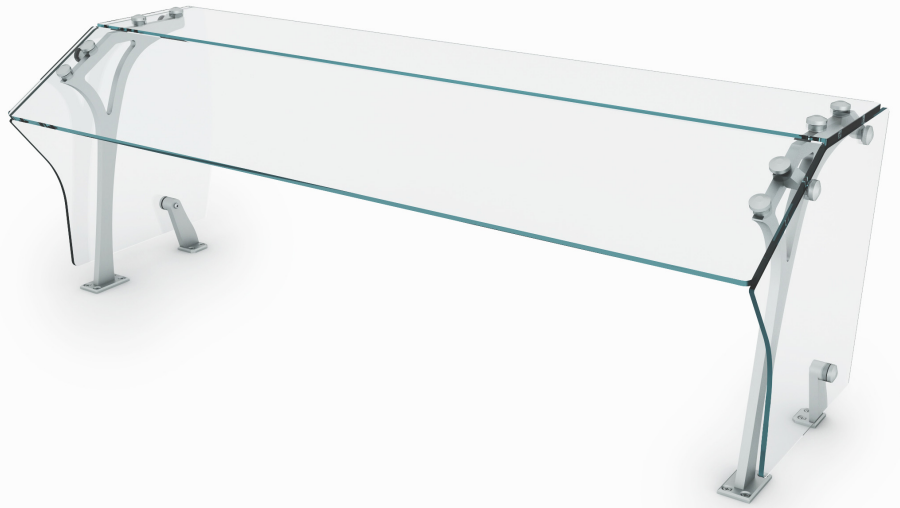
Model Features

- For Full-Service Applications
- Up to 66" Centerline Span Between Supports
- 1/2" Thick, Solid, Precision-machined Supports 6061-T6 Aluminum
- 3/8"(standard), or 1/2" Clear Tempered Glass Front Panel
- 3/8"(standard), or 1/2" Clear Tempered Glass Top Shelf Panel
- 1/4" Clear Tempered Glass End Panels
- Available with LED Lights and/or Food Warmers



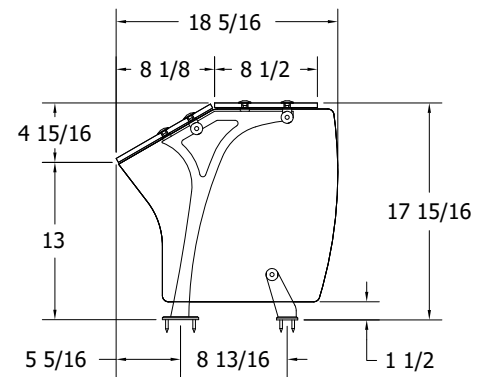
VGG7

SINGLE-SIDED PROTECTOR WITH INTEGRAL 8-1/2" SHELF



Model Features

- For Self-Service Applications
- Up to 66" Centerline Span Between Supports
- 1/2" Thick, Solid, Precision-machined Supports
6061-T6 Aluminum
- 3/8" (standard), or 1/2" Clear Tempered Glass Front Panel
- 3/8" (standard), or 1/2" Clear Tempered Glass Top Shelf Panel
- 1/4" Clear Tempered Glass End Panels
- Available with LED Lights and/or Food Warmers



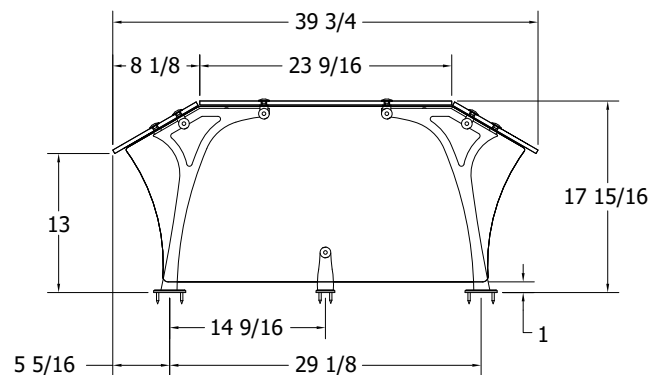
VGG7-DS

DOUBLE-SIDED PROTECTOR



Model Features

- For Self-Service Applications
- Top Shelf for Display and Additional Protection
- Up to 66" Centerline Span Between Supports
- 1/2" Thick, Solid, Precision-machined Supports
6061-T6 Aluminum
- 3/8"(standard), or 1/2" Clear Tempered Glass Front Panel
- 3/8"(standard), or 1/2" Clear Tempered Glass Top Shelf Panel
- 1/4" Clear Tempered Glass End Panels
- Available with LED Lights and/or Food Warmers



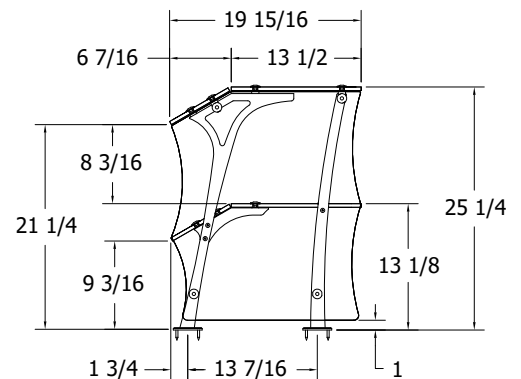
VGG7-2T

TWO-TIER SINGLE-SIDED PROTECTOR



Model Features

- For Self-Service Applications with Access from Both Sides of the Counter
- Upper Tier for Wrapped or Pre-packaged Foods Only
- Up to 66" Centerline Span Between Supports
- 1/2" Thick, Solid, Precision-machined Supports
6061-T6 Aluminum
- 3/8"(standard), or 1/2" Clear Tempered Glass Front Panel
- 3/8"(standard), or 1/2" Clear Tempered Glass Top Shelf Panel
- 1/4" Clear Tempered Glass End Panels
- Available with LED Lights and/or Food Warmers



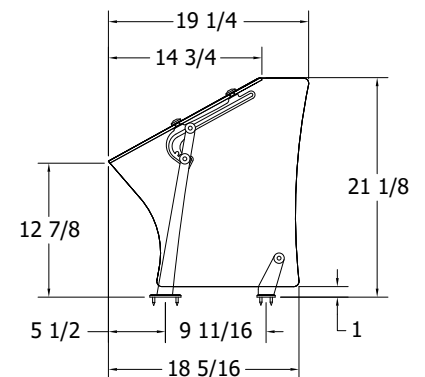
VGG15

ADJUSTABLE PROTECTOR



Model Features

- For Self-Service Applications
- Easily Adjustable in 4 Positions
- Operator Friendly - Adjusts in seconds - no knobs or fasteners to manipulate
- Up to 48" Centerline Span Between Front Supports
- 1/2" Thick, Solid, Precision-machined Supports
6061-T6 Aluminum
- 1/4" Clear Tempered Glass Front Panel
- 1/4" Clear Tempered Glass End Panels



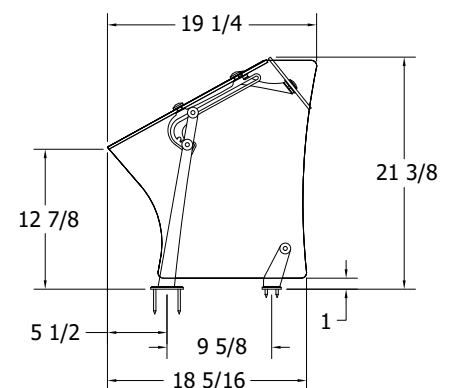
VGG15-S1

READILY CONVERTIBLE/ADJUSTABLE PROTECTOR



Model Features

- For Full Service or Self-Service Applications
- Easily Adjustable in 4 Positions
- Operator Friendly - Adjusts in seconds - no knobs or fasteners to manipulate
- Up to 48" Centerline Span Between Front Supports
- 1/2" Thick, Solid, Precision-machined Supports
6061-T6 Aluminum
- 1/4" Clear Tempered Glass Front Panel
- 1/4" Clear Tempered Glass End Panel



Standard Features

Supports:

- CNC Machined from Solid 6061-T6 Aluminum

Fixed and Adjustable Brackets:

- CNC Machined from 6061-T6 Aluminum

Mounting Hardware:

- CNC Machined from 6061-T6 Aluminum

Adapters, Spacers and all other Components:

- CNC Machined from 6061-T6 Aluminum

1/4", 3/8" and 1/2" Tempered Glass Panels:

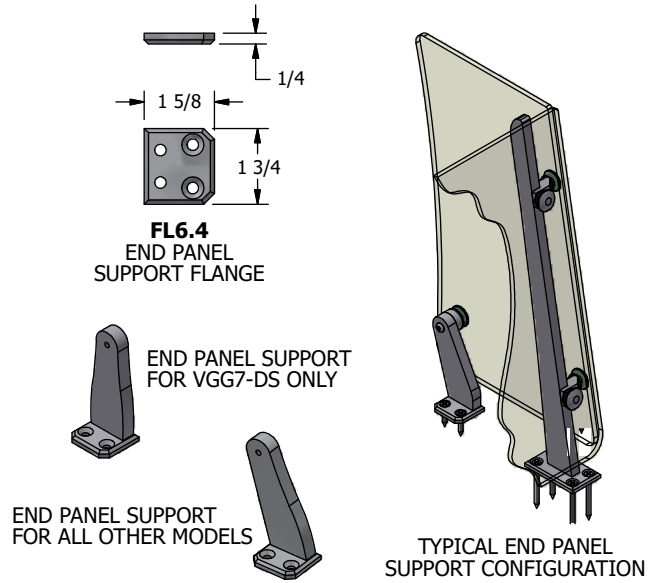
- Manufactured in Strict Conformance with ASTM C1048-04 and tested to ANSI Z97.1 standards.
- All tempered glass panels have radius corners and polished edges and are easily removable / replaceable

Surface Mounting or Concealed Mounting Available

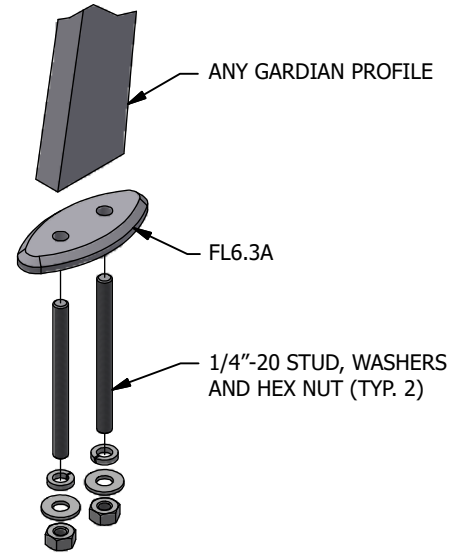


Mounting Style Details

END PANEL SUPPORT MOUNT

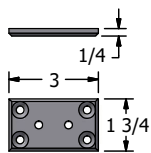


CONCEALED MOUNT ASSEMBLY

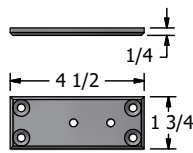


Mounting Plate Details

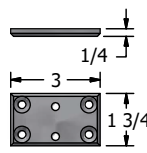
SURFACE MOUNTING PLATE



FL6.1
SURFACE-MOUNT

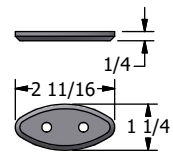


FL6.5
SURFACE-MOUNT FOR VGG1.3 ONLY



FL6.2
SURFACE-MOUNT

CONCEALED MOUNTING PLATE



FL6.2
CONCEALED-MOUNT

We are known for

EXCEPTIONAL CUSTOMER SERVICE, QUALITY WORKMANSHIP, MEETING INSANE DEADLINES, and more than anything else,

DELIVERING OUR PROMISE

In short, we do **EXACTLY** what we say we are going to do.



Other VERSA-GARD[®] PRODUCT LINES

At Versa-Gard we leverage the latest and most innovative technology to develop products with tight tolerances. We provide fit and finish unsurpassed in the industry. Our use of CAD (Computer-Aided Design) and CAM (Computer-Aided Manufacturing) ensures a consistent quality that is built into each of our innovative products. We harness the latest design and manufacturing software combined with programming by highly skilled engineers to provide our clients with the most dependable solutions.



VG[®]



EUROPA



APTUR



SlimLine



EXO[®]



01/2022

WWW.VERSA-GARD.COM

1094 Parkway Industrial Park Drive
Buford, GA 30518
678-730-4155 office
info@versa-gard.com