

FLOOR TROUGH**#DFT/SGX****GATES STANDARD DEEP FLOOR TROUGH****GENERAL CONSTRUCTION**

Gates standard #DFT/SGX floor trough shall be constructed of heavy duty #14 gauge 304-18-8 stainless steel, with fully welded watertight seams. All welds shall be polished smooth where exposed. All troughs shall have bottom pitched toward drain, and all vertical and horizontal corners covered.

DRAIN(s)

Trough shall be fitted with stainless steel sleeve drain with removable perforated strainer plate. Trough drain is a 4" I.D. plumbing connection, which will accept up to a 3" cast iron or P.V.C. building drain line. If multiple drains are required, please specify quantity and approximate location when ordering.

GRATING

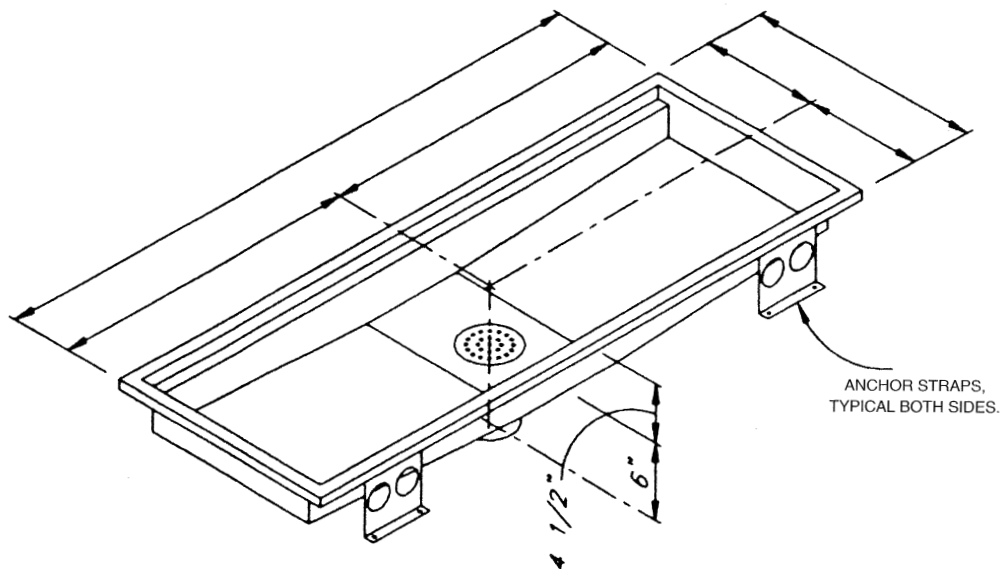
Trough shall be fitted with Gates standard stainless steel "Subway" style floor trough grating. Grating is fully welded and polished. Grating will be held to 36" or 30 pound sections, whichever is the greater. Optional fiberglass grating will be 1-1/2" thick for rigidity.

FLOOR OPENING

Gates recommends that floor openings be held to 12" larger than over all trough dimension. This allows a generous amount of clearance for the drain connection.

ANCHOR STRAPS

Trough shall be fitted with Gates standard intermediate stainless steel anchor straps. Straps are furnished with 2" diameter holes for grout penetration, and holes along bottom flange for optional mounting. Straps will be held 1/2" below lowest portion of trough, unless floor opening requires less.



ITEM # _____

QUANTITY _____



GATES
MANUFACTURING

6924 Smiley Avenue
St. Louis, Missouri, 63139
gatesmfg.com

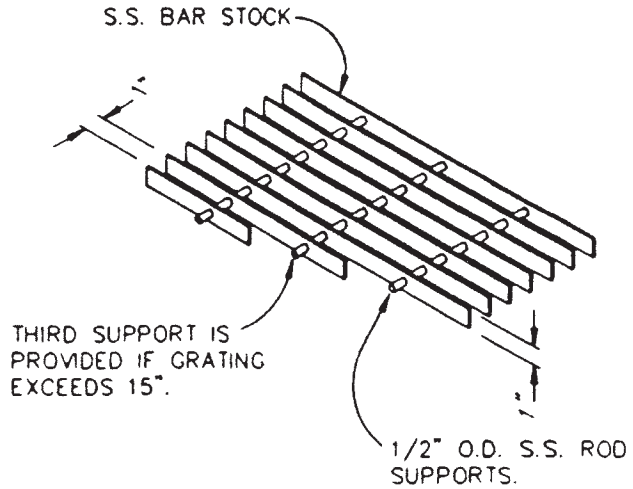


FLOOR TROUGH

#DFT/SGX

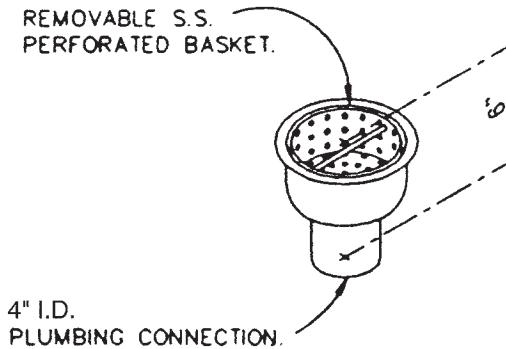
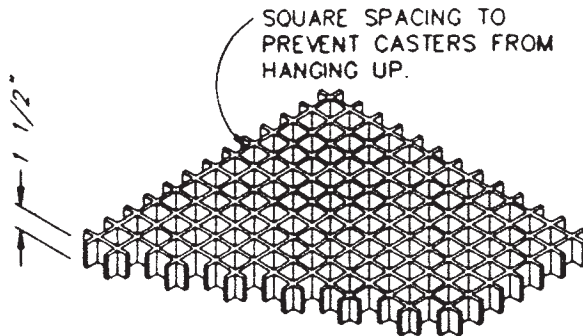
NOTE: Please contact factory for additional available custom options.

- Standard "Subway" Style Floor Trough Grating**
Standard grating used on all floor troughs, unless otherwise noted.



OPTIONAL FLOOR TROUGH ACCESSORIES

- Prison Package**
Add "-P" to model number. Not available on fiberglass grating. See Prison Pkg. cut sheet for details.
- Fiberglass Floor Trough Grating**
Change model number suffix from "SGX" to "FGX".
- Box Pattern Drain**
Available on all floor trough if width permits.



ITEM # _____

QUANTITY _____