

Creative Cocktails

HOSHIZAKI SPECIALTY ICE

ELEVATE YOUR COCKTAIL PROGRAM



HOSHIZAKI'S **EXCLUSIVE LINE** of Specialty Ice machines helps you delight your customers with beautifully crafted cocktails.



HOSHIZAKI

Creative Cocktails

HOSHIZAKI SPECIALTY ICE



Sphere



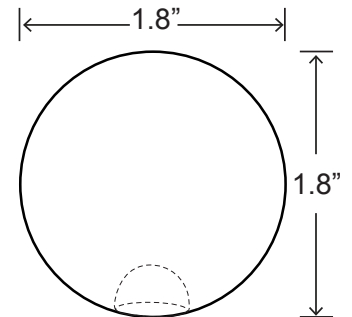
1by1



2by2

SPHERE ICE

Model: IM-50BAA-Q



IM-50BAA-Q Dimensions: 24 ³/₄ x 20 ³/₄ x 39 ¹/₂

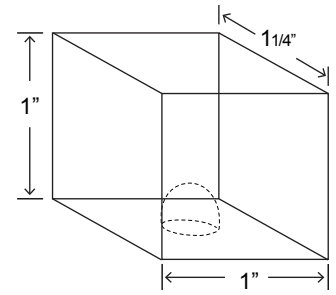
ICE IS A GARNISH

- ◆ create upscale signature cocktails
- ◆ perfect amount of chilling with minimal dilution
- ◆ increase revenue per cocktail
- ◆ small footprint easily fits under a bar
- ◆ 50 lb. (500 spheres) of ice per day

Hoshizaki's Sphere Ice Machine saves an avg cost of **80%** over 5 years, compared to ice vendors.

1by1 CUBE

Models: IM-200BAC & IM-500SAB

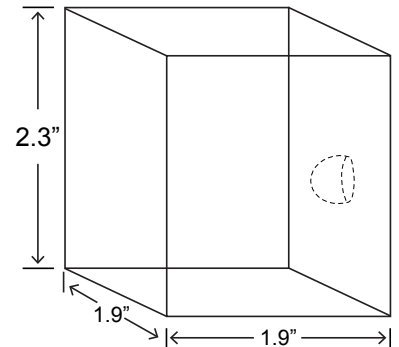


IM-500SAB Dimensions: 44 x 27 ⁵/₈ x 21 ³/₄

IM-200BAC Dimensions: 39 ¹/₂ x 23 ⁵/₈ x 33 ¹/₂

ELEVATE YOUR COCKTAIL

- ◆ versatile enough for all beverages
- ◆ perfect for preparation & presentation
- ◆ available in two sizes (200 lb./500 lb. of ice per day)



2by2 CUBE

Model: IM-50BAA-LM



IM-50BAA-LM Dimensions: 19 ³/₄ x 17 ³/₄ x 39 ¹/₂

DRAMATIC LOOK FOR COCKTAILS & STRAIGHT SPIRITS

- ◆ cleaner and clearer than house-made ice with silicone molds
- ◆ increase revenue per cocktail
- ◆ small footprint easily fits under a bar
- ◆ 50 lb. (200 cubes) of ice per day

Hoshizaki's 2by2 Ice Machine saves an avg cost of **44%** over 5 years, compared to ice vendors.

Make your cocktails insta-worthy
with Hoshizaki Specialty ice.

HOSHIZAKI. BEYOND STRONG.

HOSHIZAKI AMERICA, INC.

618 Hwy. 74, South, Peachtree City, GA 30269
TEL 800-438-6087 | FAX 800-345-1325

Item #50004 | 07/14/23

Click here to find the perfect
Specialty Ice machine for your
customers.



hoshizakiamerica.com/specialty-ice