



MODEL B DISPOSER



"B" Series Regular Design 7" Throat Size
Also available with:
Offset Design with 7" Throat

"B" SERIES - BASIC DISPOSER				
Type	Model No.	HP	PH	Throat Size
REGULAR	B3-L	3	3	8 ¹ / ₄ "
	B5-L	5	3	8 ¹ / ₄ "
OFFSET	B3-0	3	3	8 ¹ / ₄ "
	B5-0	5	3	8 ¹ / ₄ "

APPLICATION:

Heavy waste area of large kitchen. Ideal for rib, steak, or lobster houses and clam bars.

DESIGN AND CONSTRUCTION:

- Waste chamber design permits dual directional operation when used with reversing control or switch, doubling the life cycle of the shattering mechanism. Regular waste chamber available with an 8¹/₄" throat size.
- Basic body components are cast gray iron, machined, primed and powder coated.
- 10⁵/₈" Diameter rotor/turntable with exclusive adjustable 45° angle and 6 integral impact breakers constructed of hardened ductile steel alloy for long life use. Matching 45° sizing ring with 24 grind teeth constructed of hardened ductile steel alloy.
- Bolt-on, threaded discharge flange for easy removal (2" pipe size).
- Stainless steel legs and feet, adjustable from 0" to 2".
- Disposer connects to Cone or Sink Assembly by means of a neoprene isolation sleeve and (2) stainless steel clamps.
- Offset Design: For maximum space utilization.

MOTOR:

- Reversing, heavy-duty 1725 RPM (1425 RPM, 50 Hz), full rated horsepower, double sealed, permanently lubricated ball bearings.
- Thermal overload protection with manual reset button (3 and 5 HP models only).
- Exclusive shaft extension with 3/4" wrench flats to externally de-jam foreign matter without special tools.
- Available in 3 & 5 HP, 3 Ph.
- Dual voltage winding: 208-230/460V, 60 Hz ; 208/415V, 50 Hz

CONTROLS:

NOTE: Electrical switches or control centers not included, must be selected as required.

PLUMBING:

- (1) 3 GPM @ 20 PSIG, 1/2" NPT & (1) 10 GPM @ 20 PSIG, 1/2" NPT
- 2" drain line with trap
- Not grease trap compliant

ELECTRICAL:

- Please refer to electrical requirements on page 2.

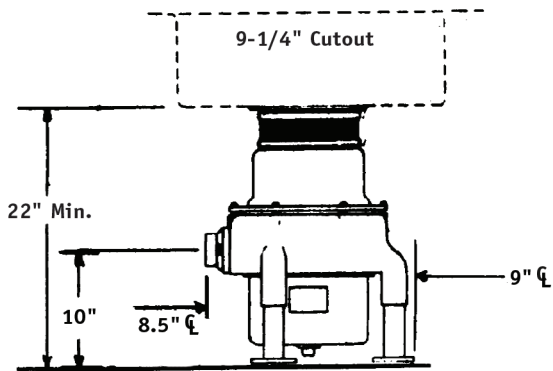
OPTIONAL FEATURES:

- Adaptor Kits: Adaptor kits are available to allow installation of Master Disposers to virtually any sink or cone size or configuration. Refer to "Adaptor Kit Selection Guide" for specific kit model numbers.

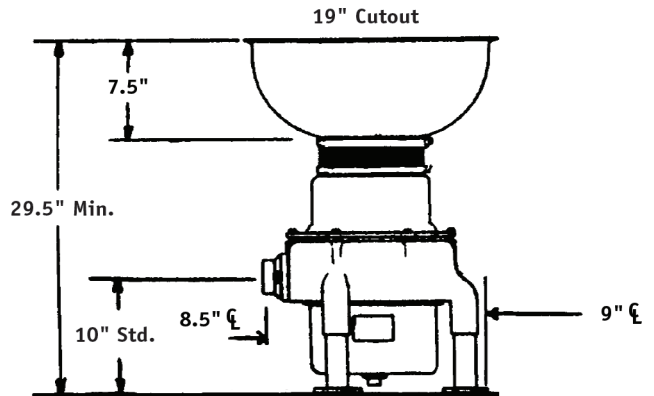
MODEL B DISPOSER



8¹/₄" SINK ADAPTOR 'SK'

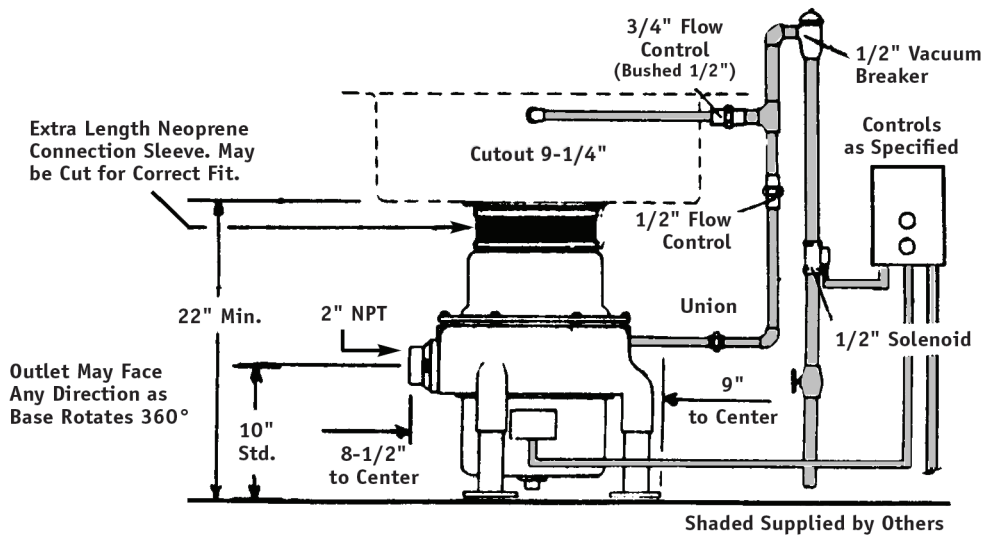


18" BOWL / CONE 'BC'



TYPICAL INSTALLATION

8¹/₄" SINK ADAPTOR 'SK'



HP	THREE PHASE		THREE PHASE	
	Volts/60 Hz	Amps	Volts/50 Hz	Amps
3	208	9.5	208	10.6
	230	9.2		
	460	4.6	415	5.3
5	208	14.5	208	19.4
	230	14		
	460	7.5	415	9.7

In line with its policy to continually improve its products, Master Disposers reserves the right to change materials and specifications without notice.